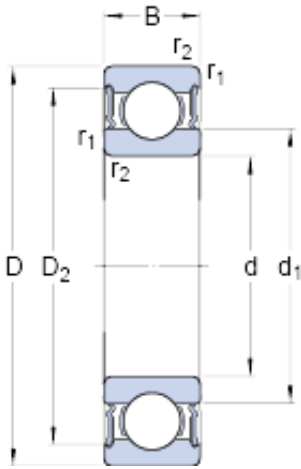




BEARING ITALIA S.P.A



85 mm x 150 mm x 28 mm skf 6217-2RS1 Deep groove ball bearings

Bearing No. 6217-2RS1

6217-2RS1 Bearing 2D drawings and 3D CAD models

Size	150x85x28 mm
Bore Diameter	150 mm
Outer Diameter	85 mm
Width	28 mm
d	85 mm
D	150 mm
B	28 mm
d ₁	106.05 mm
D ₂	134.3 mm
r _{1,2} - min.	2 mm
d _a - min.	96 mm
d _a - max.	105.9 mm
D _a - max.	139 mm
r _a - max.	2 mm
Basic dynamic load rating - C	87.1 kN
Basic static load rating - C ₀	64 kN
Fatigue load limit - P _u	2.5 kN
Limiting speed	2800 r/min
Calculation factor - k _r	0.025
Calculation factor - f ₀	14.7
Category	Single Row Ball Bearings
Inventory	0.0
Manufacturer Name	SKF
Minimum Buy Quantity	N/A



BEARING ITALIA S.P.A

Weight / Kilogram	1.86
EAN	7316577297488
Product Group	B00308
Enclosure	2 Seals
Precision Class	ABEC 1 ISO P0
Maximum Capacity / Filling Slot	No
Rolling Element	Ball Bearing
Snap Ring	No
Internal Special Features	No
Cage Material	Steel
Enclosure Type	Contact Seal
Internal Clearance	C0-Medium
Inch - Metric	Metric
Long Description	85MM Bore; 150MM Outside Diameter; 28MM Outer Race Diameter; 2 Seals; Ball Bearing; ABEC 1 ISO P0; No Filling Slot; No Snap Ring; No Internal Special Features
Category	Single Row Ball Bearing
UNSPSC	31171504
Harmonized Tariff Code	8482.10.50.68
Noun	Bearing
Keyword String	Ball
Manufacturer URL	http://www.skf.com
Manufacturer Item Number	6217-2RS1
Weight / LBS	4.1
Outer Race Width	1.102 Inch 28 Millimeter
Bore	3.346 Inch 85 Millimeter
Outside Diameter	5.906 Inch 150 Millimeter
bore diameter:	85 mm
static load capacity:	64 kN



BEARING ITALIA S.P.A

outside diameter:	150 mm
precision rating:	Not Rated
overall width:	28 mm
finish/coating:	Uncoated
bore type:	Round
cage material:	Steel
closure type:	Double Sealed
outer ring width:	28 mm
row type & fill slot:	Single Row Non-Fill Slot
fillet radius:	2 mm
internal clearance:	C0
maximum rpm:	2800 RPM
operating temperature range:	-40 to +210 ° F
series:	62
dynamic load capacity:	87.1 kN
d_1	106.05 mm
D_2	134.3 mm
$r_{1,2}$ min.	2 mm
d_a min.	96 mm
d_a max.	105.9 mm
D_a max.	139 mm
r_a max.	2 mm
Basic dynamic load rating C	87.1 kN
Basic static load rating C_0	64 kN
Fatigue load limit P_u	2.5 kN
Calculation factor k_r	0.025
Calculation factor f_0	14.7
Mass bearing	1.89 kg