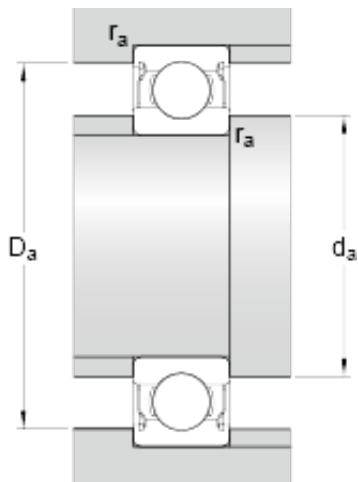




BEARING ITALIA S.P.A



5 mm x 8 mm x 2.5 mm skf W 627/5-2ZS Deep groove ball bearings

Bearing No. W 627/5-2ZS

d	5 mm
D	8 mm
B	2.5 mm
d ₁	5.8 mm
D ₂	7.4 mm
r _{1,2} min.	0.1 mm
d _a min.	5.6 mm
d _a max.	5.7 mm
D _a max.	7.5 mm
r _a max.	0.1 mm
Basic dynamic load rating C	0.121 kN
Basic static load rating C ₀	0.045 kN
Fatigue load limit P _u	0.002 kN
Reference speed	140000 r/min
Limiting speed	70000 r/min
Calculation factor k _r	0.015
Calculation factor f ₀	7.8
Mass bearing	0.00041 kg

W 627/5-2ZS Bearing 2D drawings and 3D CAD models