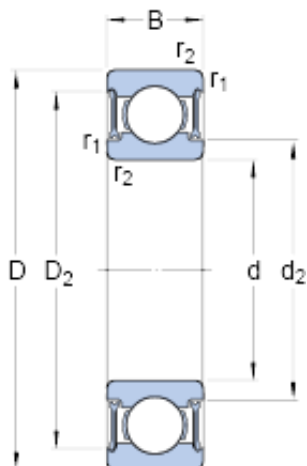




BEARING ITALIA S.P.A



8 mm x 28 mm x 9 mm skf W 638-2RZ Deep groove ball bearings

Bearing No. W 638-2RZ

Size	28x8x9 mm
Bore Diameter	28 mm
Outer Diameter	8 mm
Width	9 mm
d	8 mm
D	28 mm
B	9 mm
d ₂	13.9 mm
D ₂	22.38 mm
r _{1,2} - min.	0.3 mm
D _a - max.	26 mm
r _a - max.	0.3 mm
Basic dynamic load rating - C	4 kN
Basic static load rating - C ₀	2 kN
Fatigue load limit - P _u	0.083 kN
Reference speed	67000 r/min
Limiting speed	32000 r/min
Calculation factor - k _r	0.035
Calculation factor - f ₀	12.4
d ₂	13.9 mm
D ₂	22.38 mm
r _{1,2} min.	0.3 mm
d _a min.	10 mm
d _a max.	13.8 mm

W 638-2RZ Bearing 2D drawings and 3D CAD models



BEARING ITALIA S.P.A

D_a max.	26 mm
r_a max.	0.3 mm
Basic dynamic load rating C	3.97 kN
Basic static load rating C_0	1.96 kN
Fatigue load limit P_u	0.083 kN
Calculation factor k_r	0.035
Calculation factor f_0	12.4
Mass bearing	0.028 kg