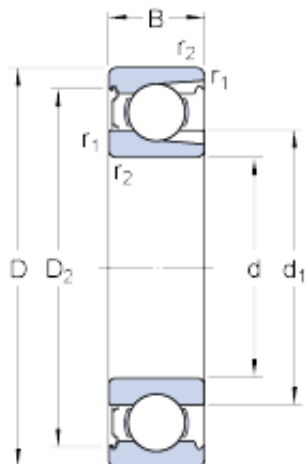




BEARING ITALIA S.P.A

100 mm x 180 mm x 34 mm skf 220-Z Deep groove ball bearings

Bearing No. 220-Z



220-Z Bearing 2D drawings and 3D CAD models

Size	180x100x34 mm
Bore Diameter	180 mm
Outer Diameter	100 mm
Width	34 mm
d	100 mm
D	180 mm
B	34 mm
d ₁	123 mm
D ₂	159.9 mm
r _{1,2} - min.	2.1 mm
d _a - min.	112 mm
d _a - max.	122.9 mm
D _a - max.	168 mm
r _a - max.	2 mm
Basic dynamic load rating - C	134 kN
Basic static load rating - C ₀	140 kN
Fatigue load limit - P _u	5 kN
Reference speed	6300 r/min
Limiting speed	4000 r/min
Calculation factor - k _r	0.04
d ₁	123 mm
D ₂	159.9 mm
r _{1,2} min.	2.1 mm
d _a min.	112 mm



BEARING ITALIA S.P.A

d_a max.	122.9 mm
D_a max.	168 mm
r_a max.	2 mm
Basic dynamic load rating C	134 kN
Basic static load rating C_0	140 kN
Fatigue load limit P_u	5 kN
Calculation factor k_r	0.04
Mass bearing	3.45 kg