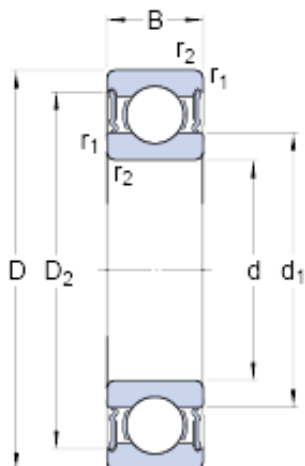




BEARING ITALIA S.P.A



70 mm x 100 mm x 16 mm skf W 61914-2RS1 Deep groove ball bearings

Bearing No. W 61914-2RS1

W 61914-2RS1 Bearing 2D drawings and 3D CAD models

Size	100x70x16 mm
Bore Diameter	100 mm
Outer Diameter	70 mm
Width	16 mm
d	70 mm
D	100 mm
B	16 mm
d ₁	79.5 mm
D ₂	93.58 mm
r _{1,2} - min.	1 mm
D _a - max.	mm
r _a - max.	1 mm
Basic dynamic load rating - C	20.3 kN
Basic static load rating - C ₀	20.8 kN
Fatigue load limit - P _u	0.9 kN
Limiting speed	4000 r/min
Calculation factor - k _r	0.025
d ₁	79.5 mm
D ₂	93.58 mm
r _{1,2} min.	1 mm
D _a max.	0 mm
r _a max.	1 mm
Basic dynamic load rating C	20.3 kN
Basic static load rating C ₀	20.8 kN



BEARING ITALIA S.P.A

Fatigue load limit P_u	0.9 kN
Calculation factor k_r	0.025
Calculation factor f_0	16.3