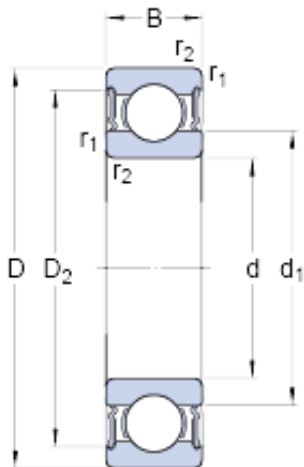




BEARING ITALIA S.P.A



70 mm x 110 mm x 20 mm skf 6014-2RS1 Deep groove ball bearings

Bearing No. 6014-2RS1

6014-2RS1 Bearing 2D drawings and 3D CAD models

Size	110x70x20 mm
Bore Diameter	110 mm
Outer Diameter	70 mm
Width	20 mm
d	70 mm
D	110 mm
B	20 mm
d ₁	82.85 mm
D ₂	99.9 mm
r _{1,2} - min.	1.1 mm
d _a - min.	76 mm
d _a - max.	82.8 mm
D _a - max.	104 mm
r _a - max.	1 mm
Basic dynamic load rating - C	39.7 kN
Basic static load rating - C ₀	31 kN
Fatigue load limit - P _u	1.3 kN
Limiting speed	3600 r/min
Calculation factor - k _r	0.025
Calculation factor - f ₀	15.6
Category	Single Row Ball Bearings
Inventory	0.0
Manufacturer Name	SKF
Minimum Buy Quantity	N/A



BEARING ITALIA S.P.A

Weight / Kilogram	0.65
EAN	7316577302564
Product Group	B00308
Enclosure	2 Seals
Precision Class	ABEC 1 ISO P0
Maximum Capacity / Filling Slot	No
Rolling Element	Ball Bearing
Snap Ring	No
Internal Special Features	No
Cage Material	Steel
Enclosure Type	Contact Seal
Internal Clearance	C0-Medium
Inch - Metric	Metric
Long Description	70MM Bore; 110MM Outside Diameter; 20MM Outer Race Diameter; 2 Seals; Ball Bearing; ABEC 1 ISO P0; No Filling Slot; No Snap Ring; No Internal Special Features
Category	Single Row Ball Bearing
UNSPSC	31171504
Harmonized Tariff Code	8482.10.50.68
Noun	Bearing
Keyword String	Ball
Manufacturer URL	http://www.skf.com
Manufacturer Item Number	6014-2RS1
Weight / LBS	1.43
Outer Race Width	0.787 Inch 20 Millimeter
Outside Diameter	4.331 Inch 110 Millimeter
Bore	2.756 Inch 70 Millimeter
d ₁	82.85 mm
D ₂	99.9 mm



BEARING ITALIA S.P.A

$r_{1,2}$ min.	1.1 mm
d_a min.	76 mm
d_a max.	82.8 mm
D_a max.	104 mm
r_a max.	1 mm
Basic dynamic load rating C	39.7 kN
Basic static load rating C_0	31 kN
Fatigue load limit P_u	1.32 kN
Calculation factor k_r	0.025
Calculation factor f_0	15.6
Mass bearing	0.63 kg