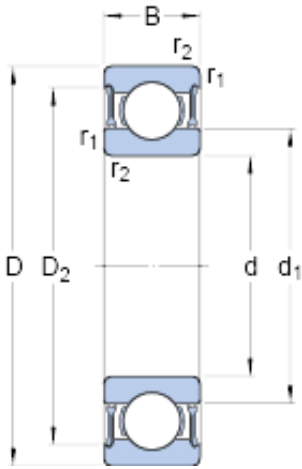




## BEARING ITALIA S.P.A



61804-2RZ Bearing 2D drawings and 3D CAD models

20 mm x 32 mm x 7 mm skf 61804-2RZ Deep groove ball bearings

Bearing No. 61804-2RZ

Size	32x20x7 mm
Bore Diameter	32 mm
Outer Diameter	20 mm
Width	7 mm
d	20 mm
D	32 mm
B	7 mm
d <sub>1</sub>	23.85 mm
D <sub>2</sub>	29.4 mm
r <sub>1,2</sub> - min.	0.6 mm
d <sub>a</sub> - min.	22 mm
d <sub>a</sub> - max.	23.6 mm
D <sub>a</sub> - max.	30 mm
r <sub>a</sub> - max.	0.3 mm
Basic dynamic load rating - C	4 kN
Basic static load rating - C <sub>0</sub>	2.3 kN
Fatigue load limit - P <sub>u</sub>	0.104 kN
Reference speed	45000 r/min
Limiting speed	22000 r/min
Calculation factor - k <sub>r</sub>	0.015
Calculation factor - f <sub>0</sub>	14.5
Category	Single Row Ball Bearings
Inventory	0.0
Manufacturer Name	SKF



## BEARING ITALIA S.P.A

Minimum Buy Quantity	N/A
Weight / Kilogram	0.02
EAN	7316577095190
Product Group	B00308
Enclosure	2 Seals
Precision Class	ABEC 1   ISO P0
Maximum Capacity / Filling Slot	No
Rolling Element	Ball Bearing
Snap Ring	No
Internal Special Features	No
Cage Material	Steel
Enclosure Type	Non-Contact Seal
Internal Clearance	C0-Medium
Inch - Metric	Metric
Long Description	20MM Bore; 32MM Outside Diameter; 7MM Outer Race Diameter; 2 Seals; Ball Bearing; ABEC 1   ISO P0; No Filling Slot; No Snap Ring; No Internal Special Features
Category	Single Row Ball Bearing
UNSPSC	31171504
Harmonized Tariff Code	8482.10.50.68
Noun	Bearing
Keyword String	Ball
Manufacturer URL	<a href="http://www.skf.com">http://www.skf.com</a>
Manufacturer Item Number	61804-2RZ
Outside Diameter	1.26 Inch   32 Millimeter
Bore	0.787 Inch   20 Millimeter
Outer Race Width	0.276 Inch   7 Millimeter
bore diameter:	20 mm
static load capacity:	2.32 kN



## BEARING ITALIA S.P.A

outside diameter:	32 mm
precision rating:	Not Rated
overall width:	7 mm
finish/coating:	Uncoated
bore type:	Round
cage material:	Steel
closure type:	Double Sealed
outer ring width:	7 mm
row type & fill slot:	Single Row Non-Fill Slot
fillet radius:	0.3 mm
internal clearance:	C0
maximum rpm:	22000 RPM
operating temperature range:	-40 to +210 ° F
series:	61
dynamic load capacity:	4.03 kN
$d_1$	23.85 mm
$D_2$	29.4 mm
$r_{1,2}$ min.	0.6 mm
$d_a$ min.	22 mm
$d_a$ max.	23.6 mm
$D_a$ max.	30 mm
$r_a$ max.	0.3 mm
Basic dynamic load rating C	4.03 kN
Basic static load rating $C_0$	2.32 kN
Fatigue load limit $P_u$	0.104 kN
Calculation factor $k_r$	0.015
Calculation factor $f_0$	14.5
Mass bearing	0.018 kg