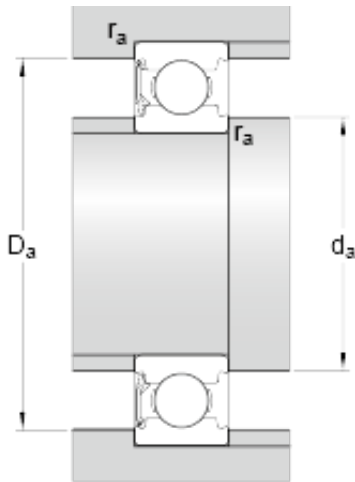




BEARING ITALIA S.P.A



6307-RSH Bearing 2D drawings and 3D CAD models

35 mm x 80 mm x 21 mm skf 6307-RSH Deep groove ball bearings

Bearing No. 6307-RSH

d	35 mm
D	80 mm
B	21 mm
d ₂	45.92 mm
D ₂	70.2 mm
r _{1,2} min.	1.5 mm
d _a min.	44 mm
d _a max.	45.6 mm
D _a max.	71 mm
r _a max.	1.5 mm
Basic dynamic load rating C	35.1 kN
Basic static load rating C ₀	19 kN
Fatigue load limit P _u	0.815 kN
Limiting speed	6000 r/min
Calculation factor k _r	0.03
Calculation factor f ₀	13.1
Mass bearing	0.45 kg