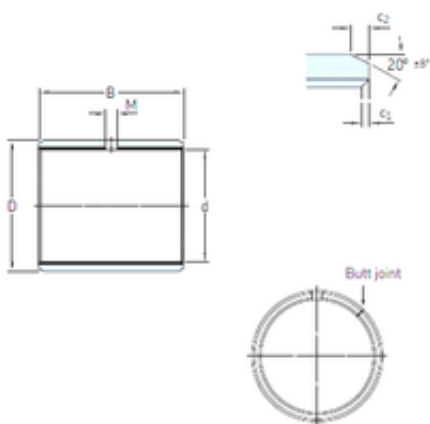




# BEARING ITALIA S.P.A

135 mm x 140 mm x 60 mm skf PCM 13514060  
M Plain bearings, Bushings



Bearing No. PCM 13514060 M

Size	135x140x60 mm
Bore Diameter	135 mm
Outer Diameter	140 mm
Width	60 mm
d	135 mm
D	140 mm
B	60 mm
c1 min	0,2 mm
c2 min	1,2 mm
M	8 mm
Weight	0,45 Kg
Basic dynamic load rating (C)	950 kN
c <sub>1</sub> min.	0.2 mm
c <sub>1</sub> max.	1 mm
c <sub>2</sub> min.	1.2 mm
c <sub>2</sub> max.	2.4 mm
± 8	20 °
Tolerance shaft	h8
Tolerance housing	H7
Basic dynamic load rating - radial direction C	950 kN
Basic static load rating - radial direction C <sub>0</sub>	2000 kN
Specific dynamic load factor K	120 N/mm <sup>2</sup>
Specific static load factor K <sub>0</sub>	250 N/mm <sup>2</sup>

PCM 13514060 M Bearing 2D drawings and 3D CAD models



## BEARING ITALIA S.P.A

Factor depending on material and bearing type $K_M$	1900
Permissible sliding velocity $v$ min.	0 m/s
Permissible sliding velocity $v$ max.	2.5 m/s
Coefficient of friction $\mu$ min.	0.02
Coefficient of friction $\mu$ max.	0.2
Mass bushing	0.45 kg