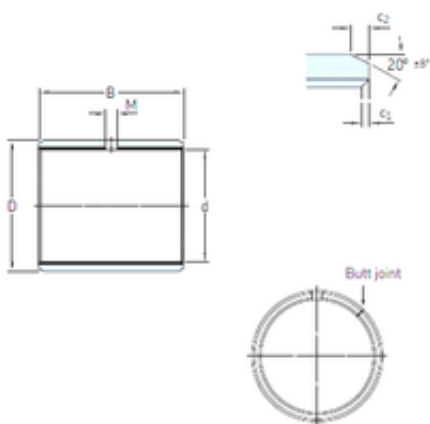




BEARING ITALIA S.P.A

28 mm x 32 mm x 25 mm skf PCM 283225 M Plain bearings, Bushings



Bearing No. PCM 283225 M

Size	28x32x25 mm
Bore Diameter	28 mm
Outer Diameter	32 mm
Width	25 mm
d	28 mm
D	32 mm
B	25 mm
c1 min	0,1 mm
c2 min	0,8 mm
M	4 mm
Weight	0,032 Kg
Basic dynamic load rating (C)	81,5 kN
Category	Plain Bearings
Inventory	0.0
Manufacturer Name	SKF
Minimum Buy Quantity	N/A
Weight / Kilogram	0.843
Product Group	B04264
c ₁ min.	0.1 mm
c ₁ max.	0.7 mm
c ₂ min.	0.8 mm
c ₂ max.	1.6 mm
± 8	20 °
Tolerance shaft	h8
Tolerance housing	H7

PCM 283225 M Bearing 2D drawings and 3D CAD models



BEARING ITALIA S.P.A

Basic dynamic load rating - radial direction C	81.5 kN
Basic static load rating - radial direction C_0	170 kN
Specific dynamic load factor K	120 N/mm ²
Specific static load factor K_0	250 N/mm ²
Factor depending on material and bearing type K_M	1900
Permissible sliding velocity v min.	0 m/s
Permissible sliding velocity v max.	2.5 m/s
Coefficient of friction μ min.	0.02
Coefficient of friction μ max.	0.2
Mass bushing	0.032 kg