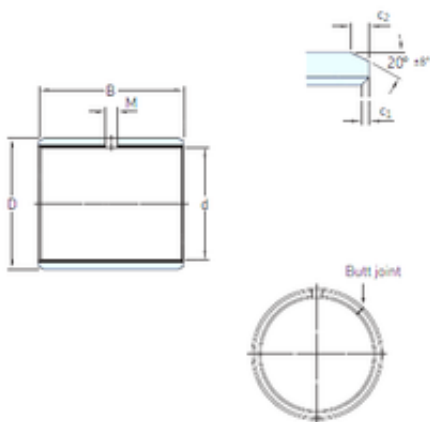




BEARING ITALIA S.P.A

15 mm x 17 mm x 15 mm skf PCM 151715 M Plain bearings, Bushings



Bearing No. PCM 151715 M

Size	15x17x15 mm
Bore Diameter	15 mm
Outer Diameter	17 mm
Width	15 mm
d	15 mm
D	17 mm
B	15 mm
c1 min	0,1 mm
c2 min	0,2 mm
M	3 mm
Weight	0,0043 Kg
Basic dynamic load rating (C)	27 kN
Category	Bearings
Inventory	0.0
Manufacturer Name	SKF
Minimum Buy Quantity	N/A
UNSPSC	31171515
Weight / Kilogram	0
Product Group	B04264
c ₁ min.	0.1 mm
c ₁ max.	0.6 mm
c ₂ min.	0.2 mm
c ₂ max.	1 mm
± 8	20 °
Tolerance shaft	h8

PCM 151715 M Bearing 2D drawings and 3D CAD models



BEARING ITALIA S.P.A

Tolerance housing	H7
Basic dynamic load rating - radial direction C	27 kN
Basic static load rating - radial direction C_0	56 kN
Specific dynamic load factor K	120 N/mm ²
Specific static load factor K_0	250 N/mm ²
Factor depending on material and bearing type K_M	1900
Permissible sliding velocity v min.	0 m/s
Permissible sliding velocity v max.	2.5 m/s
Coefficient of friction μ min.	0.02
Coefficient of friction μ max.	0.2
Mass bushing	0.0043 kg