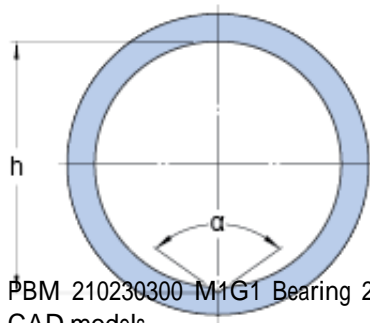
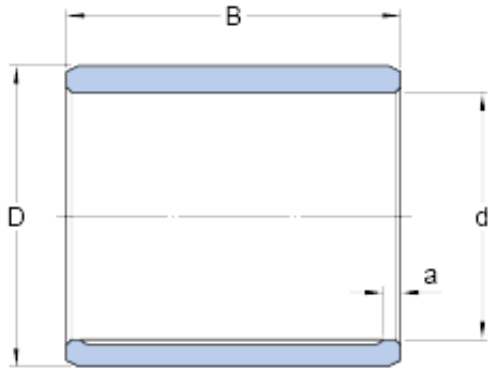




BEARING ITALIA S.P.A



PBM 210230300 M1G1 Bearing 2D drawings and 3D CAD models

210 mm x 230 mm x 300 mm skf PBM
210230300 M1G1 Plain bearings, Bushings

Bearing No. PBM 210230300 M1G1

d	210 mm
D	230 mm
B	300 mm
a	15 mm
h	212.5 mm
	124 °
Tolerance shaft	e7
Tolerance housing	H7
Specific dynamic load factor K	25 N/mm ²
Specific static load factor K ₀	45 N/mm ²
Permissible sliding velocity v min.	0 m/s
Permissible sliding velocity v max.	0.5 m/s
Coefficient of friction μ min.	0.08
Coefficient of friction μ max.	0.15
Mass bushing	18.2 kg