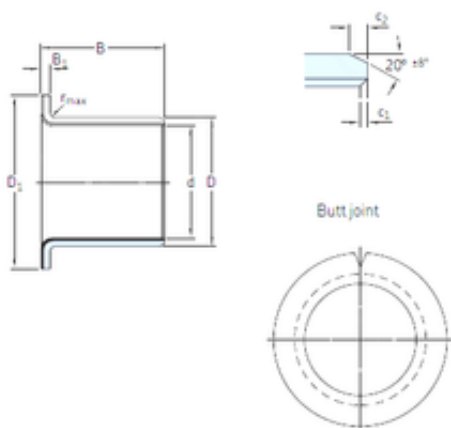




BEARING ITALIA S.P.A

10 mm x 12 mm x 9 mm skf PCMF 101209 E
Plain bearings, Bushings



Bearing No. PCMF 101209 E

Size	10x12x9 mm
Bore Diameter	10 mm
Outer Diameter	12 mm
Width	9 mm
d	10 mm
D	12 mm
B	9 mm
c1 min	0,1 mm
c2 min	0,2 mm
r max	1 mm
B1	1 mm
D1	18 mm
Weight	0,0036 Kg
Dynamic load rating radial (C)	5,6 kN
Dynamic load rating axial (C)	8 kN
Static load rating radial (C0)	17,6 kN
Category	Plain Bearings
Inventory	0.0
Manufacturer Name	SKF
Minimum Buy Quantity	N/A
Weight / Kilogram	0.003
Product Group	B04264
D ₁	18 mm
B ₁	1 mm

PCMF 101209 E Bearing 2D drawings and 3D CAD models



BEARING ITALIA S.P.A

c ₁ min.	0.1 mm
c ₁ max.	0.6 mm
c ₂ min.	0.2 mm
c ₂ max.	1 mm
± 8	20 °
r max.	1 mm
Tolerance shaft	f7
Tolerance housing	H7
Basic dynamic load rating - radial direction C	5.6 kN
Basic static load rating - radial direction C ₀	17.6 kN
Basic dynamic load rating - axial direction C _a	8 kN
Basic static load rating - axial direction C _{0a}	25 kN
Specific dynamic load factor K	80 N/mm ²
Specific static load factor K ₀	250 N/mm ²
Factor depending on material and bearing type K _M	480
Permissible sliding velocity v min.	0 m/s
Permissible sliding velocity v max.	2 m/s
Coefficient of friction μ min.	0.03
Coefficient of friction μ max.	0.25
Mass bushing	0.0036 kg