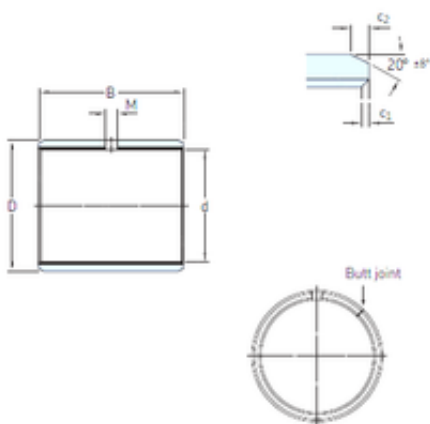




BEARING ITALIA S.P.A

28 mm x 32 mm x 25 mm skf PCM 283225 E Plain bearings, Bushings



Bearing No. PCM 283225 E

| | |
|-------------------------------|-------------|
| Size | 28x32x25 mm |
| Bore Diameter | 28 mm |
| Outer Diameter | 32 mm |
| Width | 25 mm |
| d | 28 mm |
| D | 32 mm |
| B | 25 mm |
| c1 min | 0,1 mm |
| c2 min | 0,8 mm |
| M | – mm |
| Weight | 0,035 Kg |
| Basic dynamic load rating (C) | 54 kN |
| Category | Bearings |
| Inventory | 0.0 |
| Manufacturer Name | SKF |
| Minimum Buy Quantity | N/A |
| UNSPSC | 31171515 |
| Weight / Kilogram | 0.948 |
| Product Group | B04264 |
| c ₁ min. | 0.1 mm |
| c ₁ max. | 0.7 mm |
| c ₂ min. | 0.8 mm |
| c ₂ max. | 1.6 mm |
| ± 8 | 20 ° |
| Tolerance shaft | f7 |

PCM 283225 E Bearing 2D drawings and 3D CAD models



BEARING ITALIA S.P.A

| | |
|---|-----------------------|
| Tolerance housing | H7 |
| Basic dynamic load rating - radial direction C | 54 kN |
| Basic static load rating - radial direction C_0 | 170 kN |
| Specific dynamic load factor K | 80 N/mm ² |
| Specific static load factor K_0 | 250 N/mm ² |
| Factor depending on material and bearing type K_M | 480 |
| Permissible sliding velocity v min. | 0 m/s |
| Permissible sliding velocity v max. | 2 m/s |
| Coefficient of friction μ min. | 0.03 |
| Coefficient of friction μ max. | 0.25 |
| Mass bushing | 0.035 kg |