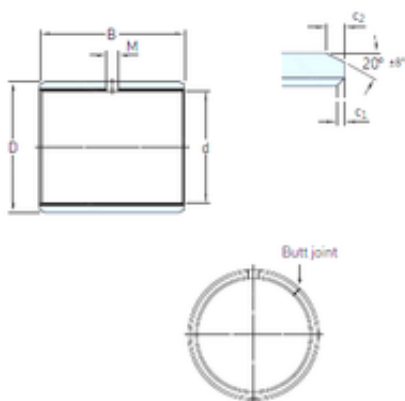




BEARING ITALIA S.P.A



9,525 mm x 11,906 mm x 9,525 mm skf PCZ
0606 E Plain bearings, Bushings

Bearing No. PCZ 0606 E

Size	9.525x11.906x9.525 mm
Bore Diameter	9,525 mm
Outer Diameter	11,906 mm
Width	9,525 mm
d	9,525 mm
D	11,906 mm
B	9,525 mm
c1 min	0,1 mm
c2 min	0,2 mm
M	– mm
Weight	0,0028 Kg
Basic dynamic load rating (C)	7,2 kN
c ₁ min.	0.1 mm
c ₁ max.	0.6 mm
c ₂ min.	0.2 mm
c ₂ max.	1 mm
± 8	20 °
Shaft diameter range min.	9.477 mm
Shaft diameter range max.	9.5 mm
Housing bore range min.	11.897 mm
Housing bore range max.	11.915 mm
Basic dynamic load rating - radial direction C	7.2 kN
Basic static load rating - radial direction C ₀	22.8 kN

PCZ 0606 E Bearing 2D drawings and 3D CAD models



BEARING ITALIA S.P.A

Specific dynamic load factor K	80 N/mm ²
Specific static load factor K_0	250 N/mm ²
Factor depending on material and bearing type K_M	480
Permissible sliding velocity v min.	0 m/s
Permissible sliding velocity v max.	2 m/s
Coefficient of friction μ min.	0.03
Coefficient of friction μ max.	0.25
Mass bushing	0.0028 kg