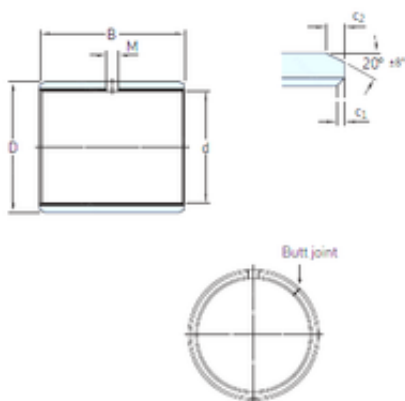




# BEARING ITALIA S.P.A

47,625 mm x 52,388 mm x 25,4 mm skf PCZ  
3016 E Plain bearings, Bushings



Bearing No. PCZ 3016 E

Size	47.625x52.388x25.4 mm
Bore Diameter	47,625 mm
Outer Diameter	52,388 mm
Width	25,4 mm
d	47,625 mm
D	52,388 mm
B	25,4 mm
c1 min	0,2 mm
c2 min	1,2 mm
M	– mm
Weight	0,072 Kg
Basic dynamic load rating (C)	93 kN
c <sub>1</sub> min.	0.2 mm
c <sub>1</sub> max.	1 mm
c <sub>2</sub> min.	1.2 mm
c <sub>2</sub> max.	2.4 mm
± 8	20 °
Shaft diameter range min.	47.551 mm
Shaft diameter range max.	47.592 mm
Housing bore range min.	52.377 mm
Housing bore range max.	52.408 mm
Basic dynamic load rating - radial direction C	93 kN
Basic static load rating - radial direction C <sub>0</sub>	290 kN

PCZ 3016 E Bearing 2D drawings and 3D CAD models



## BEARING ITALIA S.P.A

Specific dynamic load factor $K$	80 N/mm <sup>2</sup>
Specific static load factor $K_0$	250 N/mm <sup>2</sup>
Factor depending on material and bearing type $K_M$	480
Permissible sliding velocity $v$ min.	0 m/s
Permissible sliding velocity $v$ max.	2 m/s
Coefficient of friction $\mu$ min.	0.03
Coefficient of friction $\mu$ max.	0.25
Mass bushing	0.072 kg