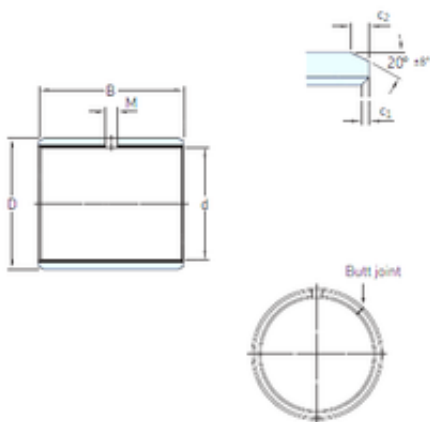




BEARING ITALIA S.P.A

30 mm x 34 mm x 20 mm skf PCM 303420 M
Plain bearings, Bushings



Bearing No. PCM 303420 M

Size	30x34x20 mm
Bore Diameter	30 mm
Outer Diameter	34 mm
Width	20 mm
d	30 mm
D	34 mm
B	20 mm
c1 min	0,1 mm
c2 min	0,8 mm
M	4 mm
Weight	0,027 Kg
Basic dynamic load rating (C)	69,5 kN
Category	Plain Bearings
Inventory	0.0
Manufacturer Name	SKF
Minimum Buy Quantity	N/A
Weight / Kilogram	0.704
EAN	7316571347448
Product Group	B04264
c ₁ min.	0.1 mm
c ₁ max.	0.7 mm
c ₂ min.	0.8 mm
c ₂ max.	1.6 mm
± 8	20 °
Tolerance shaft	h8

PCM 303420 M Bearing 2D drawings and 3D CAD models



BEARING ITALIA S.P.A

Tolerance housing	H7
Basic dynamic load rating - radial direction C	69.5 kN
Basic static load rating - radial direction C_0	143 kN
Specific dynamic load factor K	120 N/mm ²
Specific static load factor K_0	250 N/mm ²
Factor depending on material and bearing type K_M	1900
Permissible sliding velocity v min.	0 m/s
Permissible sliding velocity v max.	2.5 m/s
Coefficient of friction μ min.	0.02
Coefficient of friction μ max.	0.2
Mass bushing	0.027 kg