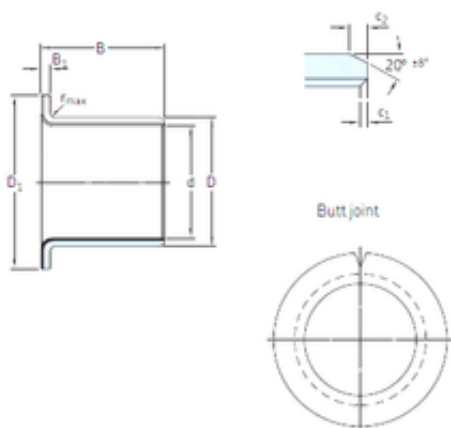




BEARING ITALIA S.P.A

25 mm x 28 mm x 16,5 mm skf PCMF 252816.5
E Plain bearings, Bushings



Bearing No. PCMF 252816.5 E

Size	25x28x16.5 mm
Bore Diameter	25 mm
Outer Diameter	28 mm
Width	16,5 mm
d	25 mm
D	28 mm
B	16,5 mm
c1 min	0,1 mm
c2 min	0,2 mm
r max	1,5 mm
B1	1,5 mm
D1	35 mm
Weight	0,021 Kg
Dynamic load rating radial (C)	28 kN
Dynamic load rating axial (C)	20,4 kN
Static load rating radial (C0)	85 kN
D ₁	35 mm
B ₁	1.5 mm
c ₁ min.	0.1 mm
c ₁ max.	0.7 mm
c ₂ min.	0.2 mm
c ₂ max.	1 mm
± 8	20 °
r max.	1.5 mm

PCMF 252816.5 E Bearing 2D drawings and 3D CAD models



BEARING ITALIA S.P.A

Tolerance shaft	f7
Tolerance housing	H7
Basic dynamic load rating - radial direction C	28 kN
Basic static load rating - radial direction C ₀	85 kN
Basic dynamic load rating - axial direction C _a	20.4 kN
Basic static load rating - axial direction C _{0a}	64 kN
Specific dynamic load factor K	80 N/mm ²
Specific static load factor K ₀	250 N/mm ²
Factor depending on material and bearing type K _M	480
Permissible sliding velocity v min.	0 m/s
Permissible sliding velocity v max.	2 m/s
Coefficient of friction μ min.	0.03
Coefficient of friction μ max.	0.25
Mass bushing	0.019 kg