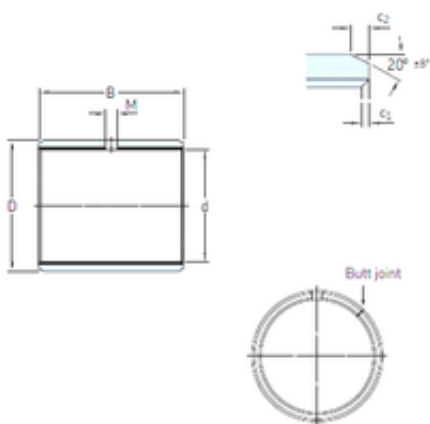




BEARING ITALIA S.P.A

150 mm x 155 mm x 60 mm skf PCM 15015560
E Plain bearings, Bushings



Bearing No. PCM 15015560 E

Size	150x155x60 mm
Bore Diameter	150 mm
Outer Diameter	155 mm
Width	60 mm
d	150 mm
D	155 mm
B	60 mm
c1 min	0,2 mm
c2 min	1,2 mm
M	– mm
Weight	0,54 Kg
Basic dynamic load rating (C)	710 kN
Category	Plain Bearings
Inventory	0.0
Manufacturer Name	SKF
Minimum Buy Quantity	N/A
Weight / Kilogram	0.626
Product Group	B04264
c ₁ min.	0.2 mm
c ₁ max.	1 mm
c ₂ min.	1.2 mm
c ₂ max.	2.4 mm
± 8	20 °
Tolerance shaft	h8
Tolerance housing	H7

PCM 15015560 E Bearing 2D drawings and 3D CAD models



BEARING ITALIA S.P.A

Basic dynamic load rating - radial direction C	710 kN
Basic static load rating - radial direction C_0	2200 kN
Specific dynamic load factor K	80 N/mm ²
Specific static load factor K_0	250 N/mm ²
Factor depending on material and bearing type K_M	480
Permissible sliding velocity v min.	0 m/s
Permissible sliding velocity v max.	2 m/s
Coefficient of friction μ min.	0.03
Coefficient of friction μ max.	0.25
Mass bushing	0.54 kg