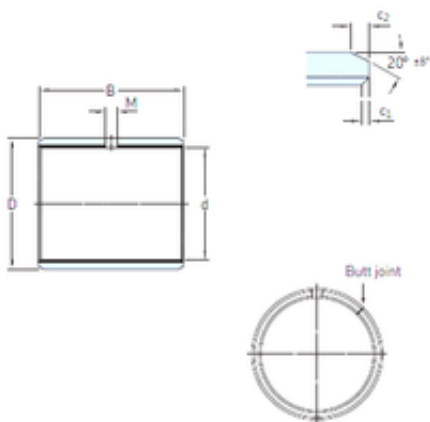




BEARING ITALIA S.P.A

85 mm x 90 mm x 60 mm skf PCM 859060 E Plain bearings, Bushings



Bearing No. PCM 859060 E

Size	85x90x60 mm
Bore Diameter	85 mm
Outer Diameter	90 mm
Width	60 mm
d	85 mm
D	90 mm
B	60 mm
c1 min	0,2 mm
c2 min	1,2 mm
M	– mm
Weight	0,305 Kg
Basic dynamic load rating (C)	400 kN
Category	Plain Bearings
Inventory	0.0
Manufacturer Name	SKF
Minimum Buy Quantity	N/A
Weight / Kilogram	0.343
Product Group	B04264
bushing type:	Plain
bushing material:	PTFE
inside diameter:	85 mm
overall outside diameter:	90 mm
bushing outside diameter:	90 mm
groove type:	Plain Interior
overall length:	60 mm

PCM 859060 E Bearing 2D drawings and 3D CAD models



BEARING ITALIA S.P.A

ground type:	Ground
c ₁ min.	0.2 mm
c ₁ max.	1 mm
c ₂ min.	1.2 mm
c ₂ max.	2.4 mm
± 8	20 °
Tolerance shaft	h8
Tolerance housing	H7
Basic dynamic load rating - radial direction C	400 kN
Basic static load rating - radial direction C ₀	1250 kN
Specific dynamic load factor K	80 N/mm ²
Specific static load factor K ₀	250 N/mm ²
Factor depending on material and bearing type K _M	480
Permissible sliding velocity v min.	0 m/s
Permissible sliding velocity v max.	2 m/s
Coefficient of friction μ min.	0.03
Coefficient of friction μ max.	0.25
Mass bushing	0.31 kg