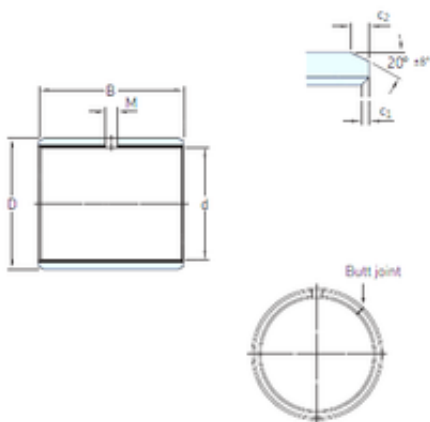




BEARING ITALIA S.P.A

24 mm x 27 mm x 20 mm skf PCM 242720 M
Plain bearings, Bushings



Bearing No. PCM 242720 M

Size	24x27x20 mm
Bore Diameter	24 mm
Outer Diameter	27 mm
Width	20 mm
d	24 mm
D	27 mm
B	20 mm
c1 min	0,1 mm
c2 min	0,2 mm
M	4 mm
Weight	0,015 Kg
Basic dynamic load rating (C)	55 kN
c ₁ min.	0.1 mm
c ₁ max.	0.7 mm
c ₂ min.	0.2 mm
c ₂ max.	1 mm
± 8	20 °
Tolerance shaft	h8
Tolerance housing	H7
Basic dynamic load rating - radial direction C	55 kN
Basic static load rating - radial direction C ₀	116 kN
Specific dynamic load factor K	120 N/mm ²
Specific static load factor K ₀	250 N/mm ²

PCM 242720 M Bearing 2D drawings and 3D CAD models



BEARING ITALIA S.P.A

Factor depending on material and bearing type K_M	1900
Permissible sliding velocity v min.	0 m/s
Permissible sliding velocity v max.	2.5 m/s
Coefficient of friction μ min.	0.02
Coefficient of friction μ max.	0.2
Mass bushing	0.015 kg