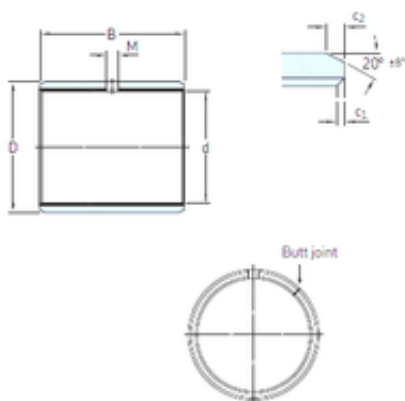




BEARING ITALIA S.P.A



25,4 mm x 28,575 mm x 25,4 mm skf PCZ 1616 E Plain bearings, Bushings

Bearing No. PCZ 1616 E

Size	25.4x28.575x25.4 mm
Bore Diameter	25,4 mm
Outer Diameter	28,575 mm
Width	25,4 mm
d	25,4 mm
D	28,575 mm
B	25,4 mm
c1 min	0,1 mm
c2 min	0,2 mm
M	– mm
Weight	0,026 Kg
Basic dynamic load rating (C)	50 kN
Category	Bearings
Inventory	0.0
Manufacturer Name	SKF
Minimum Buy Quantity	N/A
UNSPSC	31171515
Weight / Kilogram	0
Product Group	B04264
c ₁ min.	0.1 mm
c ₁ max.	0.7 mm
c ₂ min.	0.2 mm
c ₂ max.	1 mm
± 8	20 °
Shaft diameter range min.	25.347 mm

PCZ 1616 E Bearing 2D drawings and 3D CAD models



BEARING ITALIA S.P.A

Shaft diameter range max.	25.377 mm
Housing bore range min.	28.565 mm
Housing bore range max.	28.59 mm
Basic dynamic load rating - radial direction C	50 kN
Basic static load rating - radial direction C ₀	156 kN
Specific dynamic load factor K	80 N/mm ²
Specific static load factor K ₀	250 N/mm ²
Factor depending on material and bearing type K _M	480
Permissible sliding velocity v min.	0 m/s
Permissible sliding velocity v max.	2 m/s
Coefficient of friction μ min.	0.03
Coefficient of friction μ max.	0.25
Mass bushing	0.026 kg