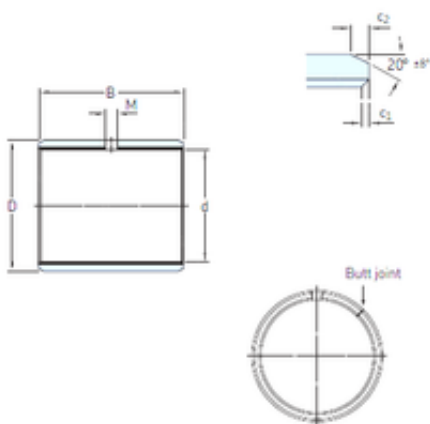




BEARING ITALIA S.P.A

140 mm x 145 mm x 100 mm skf PCM
140145100 M Plain bearings, Bushings



Bearing No. PCM 140145100 M

Size	140x145x100 mm
Bore Diameter	140 mm
Outer Diameter	145 mm
Width	100 mm
d	140 mm
D	145 mm
B	100 mm
c1 min	0,2 mm
c2 min	1,2 mm
M	8 mm
Weight	0,78 Kg
Basic dynamic load rating (C)	1 660 kN
Category	Plain Bearings
Inventory	0.0
Manufacturer Name	SKF
Minimum Buy Quantity	N/A
Weight / Kilogram	0.873
Product Group	B04264
bushing type:	Plain
bushing material:	POM
inside diameter:	100 mm
overall outside diameter:	140 mm
bushing outside diameter:	140 mm
groove type:	Plain Interior
overall length:	145 mm

PCM 140145100 M Bearing 2D drawings and 3D CAD models



BEARING ITALIA S.P.A

ground type:	Ground
c ₁ min.	0.2 mm
c ₁ max.	1 mm
c ₂ min.	1.2 mm
c ₂ max.	2.4 mm
± 8	20 °
Tolerance shaft	h8
Tolerance housing	H7
Basic dynamic load rating - radial direction C	1660 kN
Basic static load rating - radial direction C ₀	3450 kN
Specific dynamic load factor K	120 N/mm ²
Specific static load factor K ₀	250 N/mm ²
Factor depending on material and bearing type K _M	1900
Permissible sliding velocity v min.	0 m/s
Permissible sliding velocity v max.	2.5 m/s
Coefficient of friction μ min.	0.02
Coefficient of friction μ max.	0.2
Mass bushing	0.78 kg