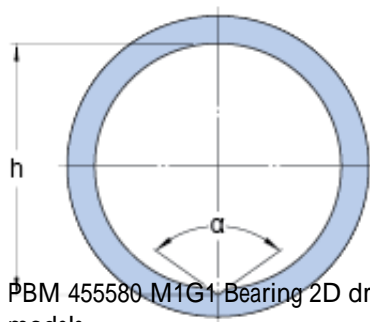
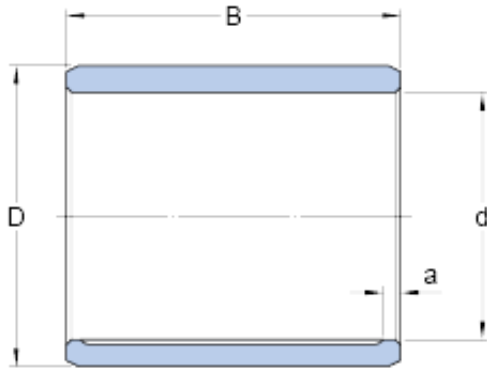




# BEARING ITALIA S.P.A



PBM 455580 M1G1 Bearing 2D drawings and 3D CAD models

45 mm x 55 mm x 80 mm skf PBM 455580  
M1G1 Plain bearings, Bushings

Bearing No. PBM 455580 M1G1

d	45 mm
D	55 mm
B	80 mm
a	3 mm
h	46 mm
	124 °
Tolerance shaft	e7
Tolerance housing	H7
Specific dynamic load factor K	25 N/mm <sup>2</sup>
Specific static load factor K <sub>0</sub>	45 N/mm <sup>2</sup>
Permissible sliding velocity v min.	0 m/s
Permissible sliding velocity v max.	0.5 m/s
Coefficient of friction μ min.	0.08
Coefficient of friction μ max.	0.15
Mass bushing	0.56 kg