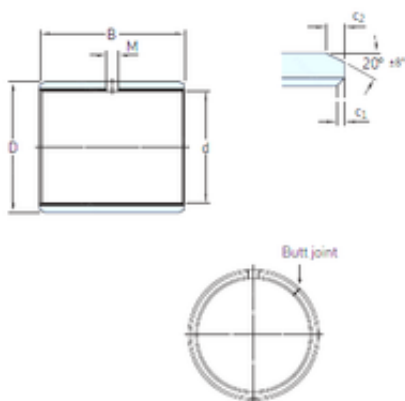




BEARING ITALIA S.P.A

28,575 mm x 32,544 mm x 19,05 mm skf PCZ
1812 M Plain bearings, Bushings



Bearing No. PCZ 1812 M

| | |
|--|------------------------|
| Size | 28.575x32.544x19.05 mm |
| Bore Diameter | 28,575 mm |
| Outer Diameter | 32,544 mm |
| Width | 19,05 mm |
| d | 28,575 mm |
| D | 32,544 mm |
| B | 19,05 mm |
| c1 min | 0,1 mm |
| c2 min | 0,8 mm |
| M | 4 mm |
| Weight | 0,024 Kg |
| Basic dynamic load rating (C) | 63 kN |
| c ₁ min. | 0.1 mm |
| c ₁ max. | 0.7 mm |
| c ₂ min. | 0.8 mm |
| c ₂ max. | 1.6 mm |
| ± 8 | 20 ° |
| Shaft diameter range min. | 28.26 mm |
| Shaft diameter range max. | 28.291 mm |
| Housing bore range min. | 32.545 mm |
| Housing bore range max. | 32.568 mm |
| Basic dynamic load rating - radial direction C | 63 kN |
| Basic static load rating - radial direction C ₀ | 129 kN |
| | |

PCZ 1812 M Bearing 2D drawings and 3D CAD models



BEARING ITALIA S.P.A

| | |
|--|-----------------------|
| Specific dynamic load factor K | 120 N/mm ² |
| Specific static load factor K ₀ | 250 N/mm ² |
| Factor depending on material and bearing type K _M | 1900 |
| Permissible sliding velocity v min. | 0 m/s |
| Permissible sliding velocity v max. | 2.5 m/s |
| Coefficient of friction μ min. | 0.02 |
| Coefficient of friction μ max. | 0.2 |
| Mass bushing | 0.024 kg |