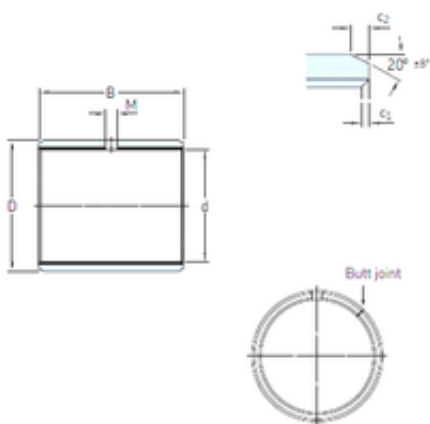




# BEARING ITALIA S.P.A

30 mm x 34 mm x 40 mm skf PCM 303440 E  
Plain bearings, Bushings



Bearing No. PCM 303440 E

Size	30x34x40 mm
Bore Diameter	30 mm
Outer Diameter	34 mm
Width	40 mm
d	30 mm
D	34 mm
B	40 mm
c1 min	0,1 mm
c2 min	0,8 mm
M	– mm
Weight	0,06 Kg
Basic dynamic load rating (C)	95 kN
c <sub>1</sub> min.	0.1 mm
c <sub>1</sub> max.	0.7 mm
c <sub>2</sub> min.	0.8 mm
c <sub>2</sub> max.	1.6 mm
± 8	20 °
Tolerance shaft	f7
Tolerance housing	H7
Basic dynamic load rating - radial direction C	95 kN
Basic static load rating - radial direction C <sub>0</sub>	300 kN
Specific dynamic load factor K	80 N/mm <sup>2</sup>
Specific static load factor K <sub>0</sub>	250 N/mm <sup>2</sup>

PCM 303440 E Bearing 2D drawings and 3D CAD models



## BEARING ITALIA S.P.A

Factor depending on material and bearing type $K_M$	480
Permissible sliding velocity $v$ min.	0 m/s
Permissible sliding velocity $v$ max.	2 m/s
Coefficient of friction $\mu$ min.	0.03
Coefficient of friction $\mu$ max.	0.25
Mass bushing	0.06 kg