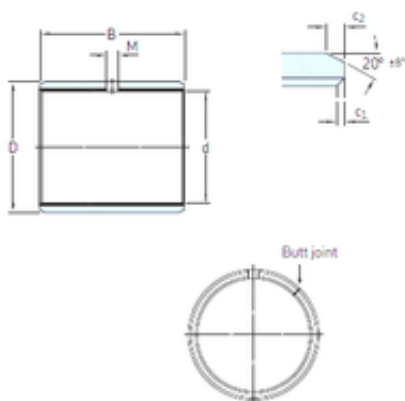




# BEARING ITALIA S.P.A



12,7 mm x 15,081 mm x 9,525 mm skf PCZ 0806  
E Plain bearings, Bushings

Bearing No. PCZ 0806 E

Size	12.7x15.081x9.525 mm
Bore Diameter	12,7 mm
Outer Diameter	15,081 mm
Width	9,525 mm
d	12,7 mm
D	15,081 mm
B	9,525 mm
c1 min	0,1 mm
c2 min	0,2 mm
M	– mm
Weight	0,0037 Kg
Basic dynamic load rating (C)	9,8 kN
c <sub>1</sub> min.	0.1 mm
c <sub>1</sub> max.	0.6 mm
c <sub>2</sub> min.	0.2 mm
c <sub>2</sub> max.	1 mm
± 8	20 °
Shaft diameter range min.	12.649 mm
Shaft diameter range max.	12.675 mm
Housing bore range min.	15.072 mm
Housing bore range max.	15.09 mm
Basic dynamic load rating - radial direction C	9.8 kN
Basic static load rating - radial direction C <sub>0</sub>	30 kN

PCZ 0806 E Bearing 2D drawings and 3D CAD models



## BEARING ITALIA S.P.A

Specific dynamic load factor K	80 N/mm <sup>2</sup>
Specific static load factor K <sub>0</sub>	250 N/mm <sup>2</sup>
Factor depending on material and bearing type K <sub>M</sub>	480
Permissible sliding velocity v min.	0 m/s
Permissible sliding velocity v max.	2 m/s
Coefficient of friction μ min.	0.03
Coefficient of friction μ max.	0.25
Mass bushing	0.0037 kg