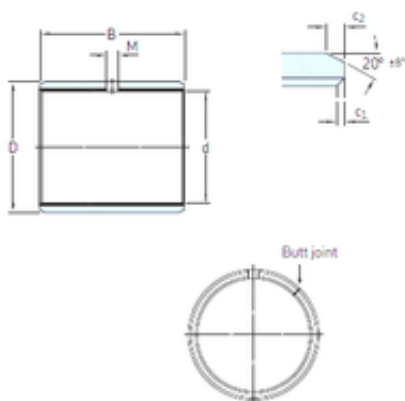




# BEARING ITALIA S.P.A



63,5 mm x 68,263 mm x 63,5 mm skf PCZ 4040  
M Plain bearings, Bushings

Bearing No. PCZ 4040 M

Size	63.5x68.263x63.5 mm
Bore Diameter	63,5 mm
Outer Diameter	68,263 mm
Width	63,5 mm
d	63,5 mm
D	68,263 mm
B	63,5 mm
c1 min	0,2 mm
c2 min	1,2 mm
M	6 mm
Weight	0,215 Kg
Basic dynamic load rating (C)	480 kN
c <sub>1</sub> min.	0.2 mm
c <sub>1</sub> max.	1 mm
c <sub>2</sub> min.	1.2 mm
c <sub>2</sub> max.	2.4 mm
± 8	20 °
Shaft diameter range min.	63.137 mm
Shaft diameter range max.	63.182 mm
Housing bore range min.	68.263 mm
Housing bore range max.	68.293 mm
Basic dynamic load rating - radial direction C	480 kN
Basic static load rating - radial direction C <sub>0</sub>	1000 kN

PCZ 4040 M Bearing 2D drawings and 3D CAD models



## BEARING ITALIA S.P.A

Specific dynamic load factor $K$	120 N/mm <sup>2</sup>
Specific static load factor $K_0$	250 N/mm <sup>2</sup>
Factor depending on material and bearing type $K_M$	1900
Permissible sliding velocity $v$ min.	0 m/s
Permissible sliding velocity $v$ max.	2.5 m/s
Coefficient of friction $\mu$ min.	0.02
Coefficient of friction $\mu$ max.	0.2
Mass bushing	0.21 kg